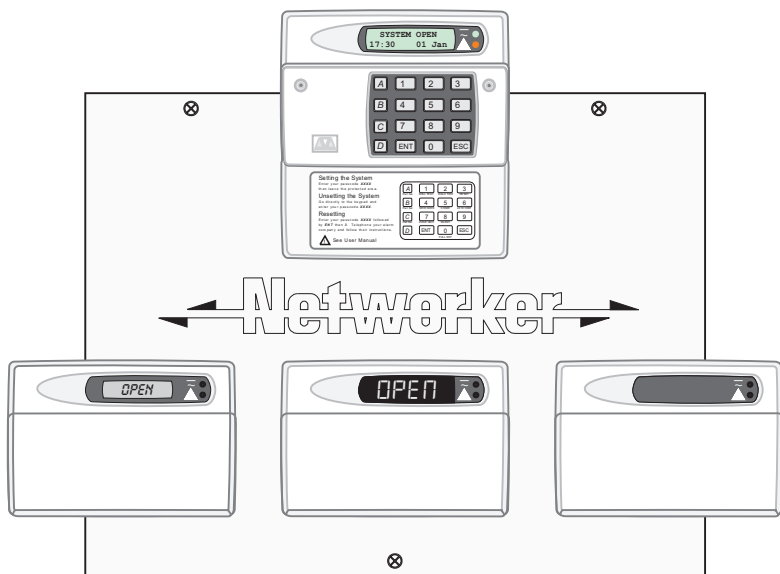


# TS690 & TS690ID

## Intruder Alarm Control Panels



## Operators Manual

# Contents

## System Overview

Introduction . . . . .	3
Remote Keypads . . . . .	4
Arming Station . . . . .	4
LED Keypad . . . . .	4
Starburst Keypad . . . . .	5
LCD Keypad . . . . .	5

## Operating Your Alarm System

Introduction . . . . .	6
Passcodes . . . . .	6
User Types . . . . .	6
User Menus . . . . .	6
Banner Message . . . . .	6
Engineer on site . . . . .	6
Full Setting The System . . . . .	7
Unsetting the system . . . . .	8
Part Setting The System . . . . .	9
Unsetting After an Alarm . . . . .	10
Resetting After an Alarm . . . . .	11
User Reset . . . . .	11
Engineer Reset . . . . .	11
Remote Reset . . . . .	12

## User Menu 1

Introduction . . . . .	13
Bell Test . . . . .	14
Walk Test . . . . .	15
Remote Reset . . . . .	16
Change Passcode . . . . .	17
Enable Chime . . . . .	18
Isolate/Re-instate Shunt Group . . . . .	19
Isolating a Shunt Group . . . . .	19
Re-instating a Shunt Group . . . . .	20
Omit Circuits . . . . .	21
Silent Set . . . . .	23
Full Set and Part Set . . . . .	23

## User Menu 2

Introduction . . . . .	24
View Circuits . . . . .	25
Set Clock . . . . .	26

Set Date . . . . .	27
Setup New Users . . . . .	28
User Types . . . . .	28
Alter Chime Circuits . . . . .	30
Alter Shunt Group . . . . .	31
Print System Log . . . . .	32
Set-up Part Sets . . . . .	33
View Log . . . . .	34
Log Event Codes . . . . .	35
Enable Remote Service . . . . .	37
Initiate Service Call . . . . .	38
Circuit Text (LCD Only) . . . . .	39

## Fault Finding

Display Messages . . . . .	40
----------------------------	----

## System Records

User Record . . . . .	43
Detection Circuit Record . . . . .	43
Service Record . . . . .	45
System Details . . . . .	46
Installer Information . . . . .	46
Notes . . . . .	47

# System Overview

## Introduction

The TS690 and TS690ID are advanced security alarm control systems using state of the art electronics to provide comprehensive but flexible protection for both domestic and commercial premises. The system comprises of a number of components linked to a central control unit which is concealed from view but accessible for maintenance. The TS690 can monitor from 6 to 14 detection circuits whereas the TS690ID can monitor from 2 to 38 detection circuits.

Both systems can be operated from up to four remote keypads which may be one of four types. Detection devices such as door contacts or movement sensors are allocated to detection circuits which are identified on the remote keypad displays.

A modem can also be connected to the alarm system via the telephone line to allow remote interrogation, programming and resetting of alarms. This feature is known as "Downloading" and is normally performed by the installation company or central station.

Each alarm installation is specific to the site and its occupier and may differ from other TS690/TS690ID installations. This manual describes in detail all the functions and procedures available to the user, however, not all these may be relevant to the way your system is set up. To avoid unnecessary operating errors please discuss the details of the alarm system with your installation company before attempting to use it. Also ensure that installation company complete the system record sheets at the back of this manual.

# Remote Keypads

Your alarm system can be operated from one or more remote keypads, which will have been strategically located within the protected premises. The remote keypads may be one of four types.

## Arming Station

The remote arming station can only be used to full set, part set and unset your alarm system.

- 1 Green Power Indicator - Flashes if no mains power is present. Steady when mains power is present.
- 2 Red Function Indicator - Can be programmed by the alarm company, to indicate a fault, set or part-set etc.
- 3 Keyboard - Used for operating your alarm system.
- 4 Cover - Fold-down cover with quick guide operating instructions.



## LED Keypad

The LED keypad can be used to full set, part set and unset the alarm system. It also can be used for limited programming functions.

- 1 LED Display - Used to show the system time along with other system messages.
- 2 Green Power Indicator - Flashes if no mains power is present. Steady when mains power is present.
- 3 Red Function Indicator - Can be programmed by the alarm company, to indicate a fault, set or part-set etc.
- 4 Keyboard - Used for operating your alarm system.
- 5 Cover - Fold-down cover with quick guide operating instructions.

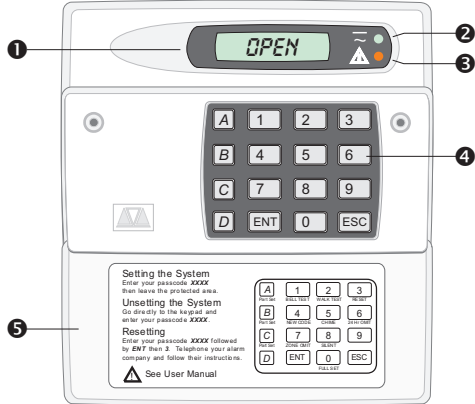


# Remote Keypads

## Starburst Keypad

The Starburst remote keypad can be used to full set, part set and unset the alarm system. It also can be used for limited programming functions.

- 1 Starburst Display - Used to show the system time along with other system messages.
- 2 Green Power Indicator - Flashes if no mains power is present. Steady when mains power is present.
- 3 Red Function Indicator - Can be programmed by the alarm company, to indicate a fault, set or part-set etc.
- 4 Keyboard - Used for operating your alarm system.
- 5 Cover - Fold-down cover with quick guide operating instructions.



## LCD Keypad

The LCD remote keypad is a full function keypad and can be used to program, test, set and unset the alarm system.

- 1 LCD Display - Used to show the system time along with other system messages.
- 2 Green Power Indicator - Flashes if no mains power is present. Steady when mains power is present.
- 3 Red Function Indicator - Can be programmed by the alarm company, to indicate a fault, set or part-set etc.
- 4 Keyboard - Used for operating your alarm system.
- 5 Cover - Fold-down cover with quick guide operating instructions.



# Operating Your Alarm System

## Introduction

### Passcodes

Access to the system is gained by entering a 4 digit passcode. Every time you wish to use the system your passcode must be entered correctly.

### User Types

The TS690 and TS690ID can have up to 15 separate users each user is assigned a passcode, and a user level. The user level defines what the user can access within the user menus, for a definition of each user level see *"Set-up New Users" page 28*.

### User Menus

The system has 2 users menus, with each menu having between 9 and 10 options. User menu 1 is accessed by entering your passcode followed by the [ENT] key. Access to user menus and options will depend on your user level. When a menu option is selected you may abandon the option by pressing the [ESC] key. To leave the user menus and return the system to its original state simply keep pressing the [ESC] key until the display shows "OPEN".

### Banner Message

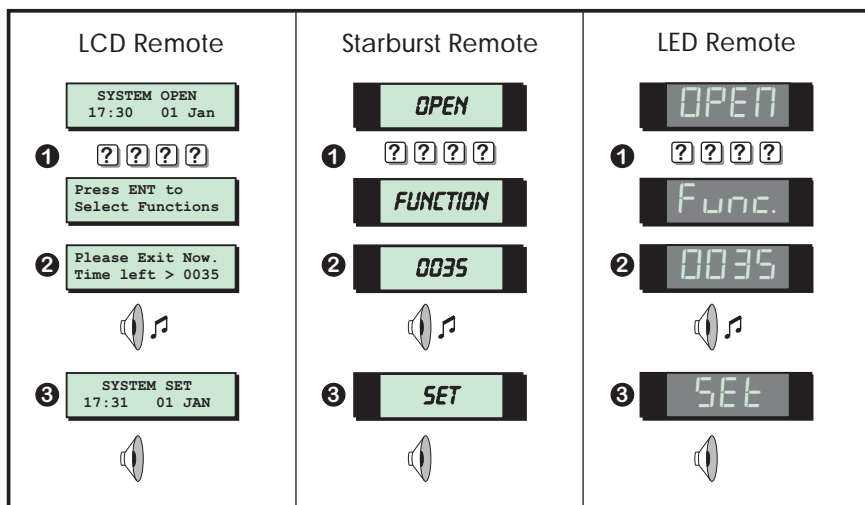
The banner message is normally shown on the top line of display when the system is unset or full set. This message is configured by your alarm company and is usually set to the alarm company's name.

### Engineer on site

When your alarm company has an engineer on site and is logged into the system, the keypads will show "ENGINEER ON SITE". You can continue to operate the system as normal, if required. The message is automatically cleared when a user passcode is entered.

## Full Setting The System

The full setting procedure can be initiated from any remote keypad (if more than one is fitted). Before attempting to full set the alarm system ensure that all movement detectors are unobstructed and all doors, and windows are secure.



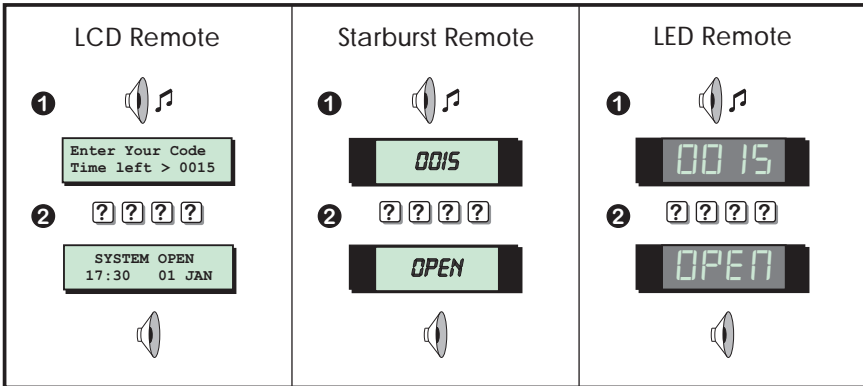
1. From the unset (open) mode enter your passcode.
2. After 5 seconds the exit sounder will start and the display will show the remaining exit time.
3. Leave the premises by the designated exit route, close the final door and press the exit terminator button (if fitted). The system is fully set when the exit sounder stops.



- ◆ To abandon the setting process any time, simply re-enter your passcode.
- ◆ If the display shows "9999" at step 2 the system is configured set by exit terminator or on closure of the last exit circuit.
- ◆ If an attempt is made to full set the system whilst one or more circuits are active (such as a door being open) the display at step (2) will indicate the circuit(s) that are in fault and internal sounder generates an interrupted tone. The fault must be cleared before the setting procedure can be completed. If the fault is still present at the end of the exit time an internal alarm will be generated. If fitted, the external strobe light will flash indicating that the system has "Failed to set". To prevent this alarm simply re-enter your passcode before the exit timer expires.

## Unsetting the system

The unsetting of the alarm system can be performed at any remote keypad.



1. Enter the premises via the prescribed entry route and proceed directly to the remote keypad. The internal sounders generate an interrupted tone. The display will show the remaining entry time.
2. Enter your 4 digit passcode before the entry timer expires. The internal sounders will stop and the display will show "SYSTEM OPEN". After 5 seconds the "SYSTEM OPEN" message will disappear and the display will show the time, (date and banner text, LCD only).



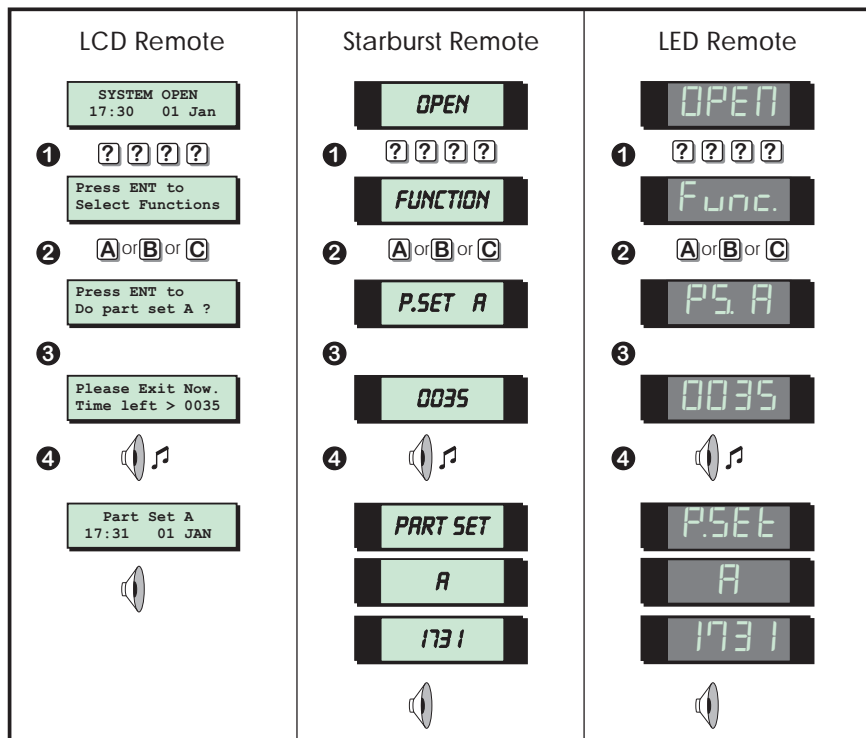
### NOTES

- ◆ If the entry time is exceeded an alarm is generated from the internal sounders and the "Second Entry" timer is started. If at the end of the "Second Entry" timer the alarm system has not been unset a full alarm condition will occur. If the alarm company has set the "Second Entry" timer to zero the full alarm will occur when the first entry timer expires.
- ◆ If during the entry procedure the user strays from the prescribed entry route and activates a detection circuit a full alarm will occur (internal sounders and external sounders). If the alarm system is fitted with a remote signalling device this will also be triggered.
- ◆ The alarm system can be programmed with an "Abort" feature which will allow the system to transmit an abort signal to your alarm receiving centre. On receiving this signal your alarm receiving centre will cancel any police action. This feature is controlled by time delay (normally set to 90 seconds). Following a full alarm condition you must enter your passcode with this time period in order to send the abort signal, if you fail to enter your passcode before the timer expires police action will be taken.



## Part Setting The System

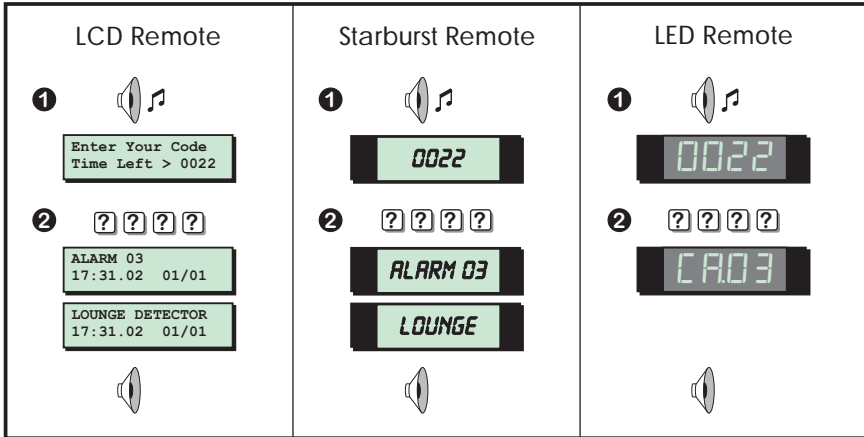
The TS690 and TS690ID can have up to three predefined part set configurations. Each configuration allows the alarm system to set with one or more circuits isolated. Normally the alarm company will configure each part set option, however the master user may also configure the part sets, providing the alarm company has programmed the alarm system to allow this facility.



1. From the unset (open) mode enter your passcode.
2. Select the required part set mode by pressing **[A]**, **[B]** or **[C]**.
3. Either press **[ENT]** when the display shows the required part set mode or wait for 5 seconds after which the exit sounder will start and the display will show the remaining exit time.
4. Leave the area by the designated exit route, close the final door and press the exit terminator button (if fitted). The system is part set when the exit sounder stops.

## Unsetting After an Alarm

If an alarm has occurred whilst the alarm system is full or part set, the display will indicate the detection circuit that was triggered when you unset the system. Once the cause of the alarm has been established the system must be reset, see "Resetting after an alarm" on page 11.



1. Enter the premises via the prescribed entry route and proceed directly to the remote keypad. The internal sounders generate an interrupted tone. The display will show the remaining entry time.
2. Enter your 4 digit passcode before the entry timer expires. The internal sounders will stop and the display will show the circuit that caused the alarm.
3. Refer to "Resetting After an Alarm" on page 11.



### NOTES

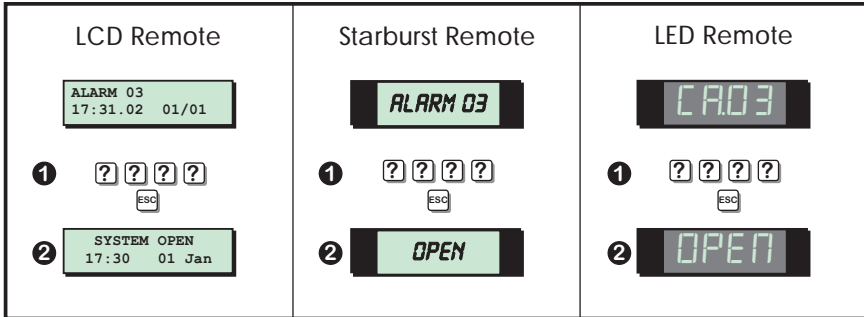
- ◆ If circuit text has been programmed then the display on the LCD and Starburst remote keypads will alternate between the circuit number and the circuit text at step (2).

## Resetting After an Alarm

Your alarm company will have programmed the system to be either "User Reset", "Engineer Reset" or "Remote Reset", consult your alarm company if you are not sure.

### User Reset

If your system has been programmed as user reset, alarms can be reset by any user that has a valid passcode.

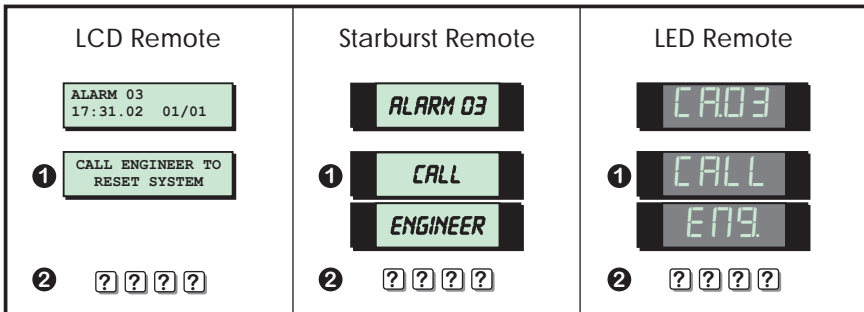


From step (3) of "Unsetting After an Alarm", proceed as follows:

1. Enter your passcode and within 5 seconds press **[ESC]**.
2. The system is now reset and back in the open mode. After 5 seconds the "SYSTEM OPEN" message will disappear and the display will show the time, (date and banner text, LCD only).

### Engineer Reset

If your system is programmed as engineer reset, alarms can only be reset by your alarm company.



From step (3) of "Unsetting After an Alarm", proceed as follows:

1. The display will alternate between the circuit that caused the alarm and the "Call Engineer To Reset System" message. The internal sounders will also generate a beep every minute to remind you that the system requires resetting.

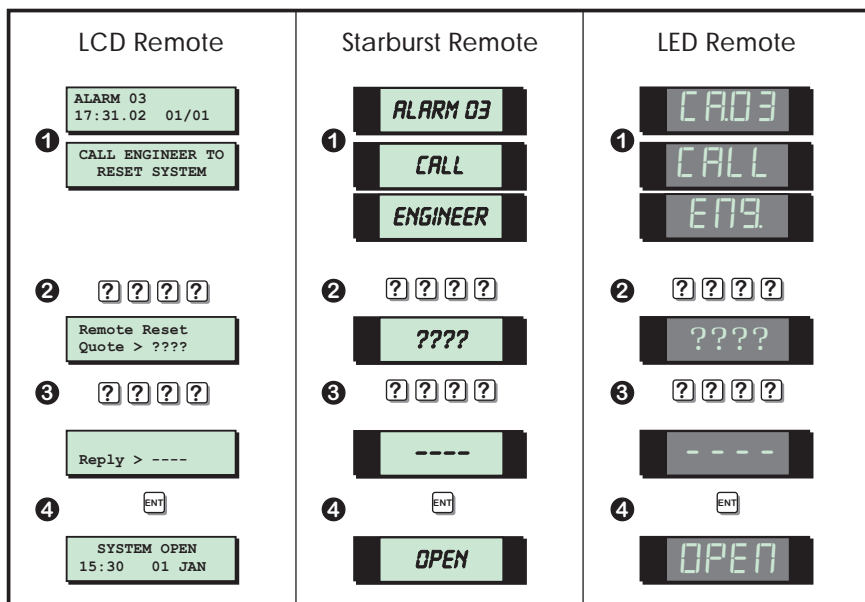
## Resetting After an Alarm (Cont.)

- To silence the beeps enter your passcode.
- Contact your alarm company:



### Remote Reset

If your system is programmed as remote reset, alarms can be reset by your alarm company or via the exchange or unique passcodes.



From step (3) of “Unsetting After an Alarm”, proceed as follows:

- The display will alternate between the circuit that caused the alarm and the “Call Engineer To Reset System” message. The internal sounders will also generate a beep every minute to remind you that the system requires resetting.
- Enter your passcode, this will silence the beeps and the system will display a unique 4 digit number. Contact your alarm company or alarm receiving centre:



- You will be asked to report the circumstances of the alarm. If the alarm receiving centre decides you do not require an engineer, a 4 digit remote reset code will be given to you.
- After you have entered the code press the **[ENT]** key and the system will return to the open condition.

# User Menu 1

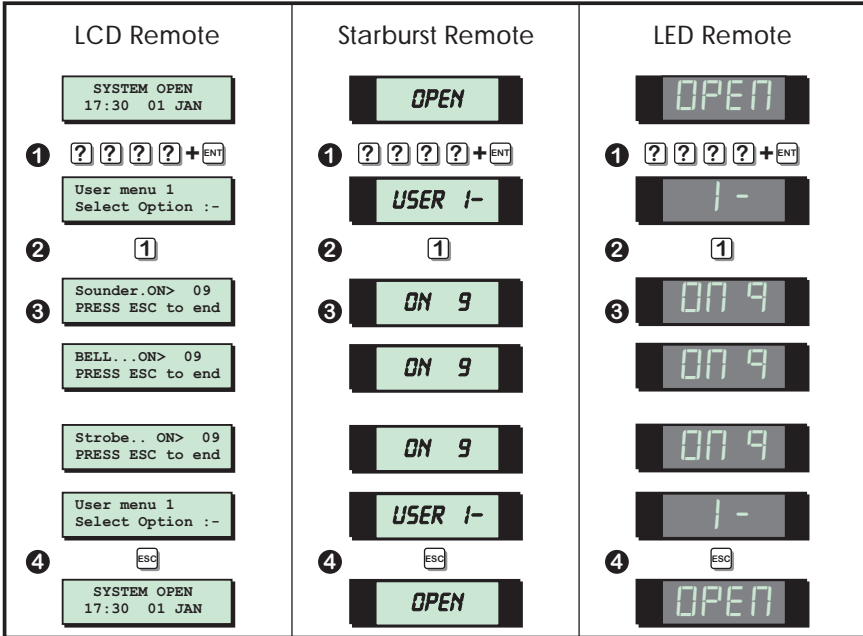
## Introduction

User menu 1 is accessed by entering your passcode followed by [ENT]. There are 12 menu options and access to these options will depend on your access level.

LCD Remote	Starburst Remote	LED Remote
? ? ? ? + ENT	? ? ? ? + ENT	? ? ? ? + ENT
User menu 1 Select Option :-	USER 1-	1-
1 Bell Test Sounder. ON> 09 PRESS ESC to end	1 Bell Test ON 9	1 Bell Test 09 9
2 Walk Test Walk Test Press ESC to end	2 Walk Test * NONE *	2 Walk Test NONE
3 Remote Reset Remote Reset Quote> 9472	3 Remote Reset 9472	3 Remote Reset 9472
4 Change Passcode Change pass code New code > ----	4 Change Passcode ----	4 Change Passcode ----
5 Enable Chime Chime ccts are Enabled	5 Enable Chime ON 1	5 Enable Chime 09 1
6 Omit Shunt Group SYSTEM OPEN 13:30 01 JAN	6 Omit Shunt Group OPEN	6 Omit Shunt Group OPEN
7 Omit Circuits Omit Circuits Enter CCT No.>---	7 Omit Circuits CCT 01-A	7 Omit Circuits 01-A
8 Silent Set Silent Set ? Enter Group > -	8 Silent Set SILENT -	8 Silent Set 5 IL -
0 Full Set Please Exit Now. Time left > 0010	0 Full Set 0010	0 Full Set 00 10
A Part Set A,B,C	A Part Set A,B,C	A Part Set A,B,C
B Please Exit Now. Time left > 0010	B 0010	B 00 10
C	C	C

## Bell Test

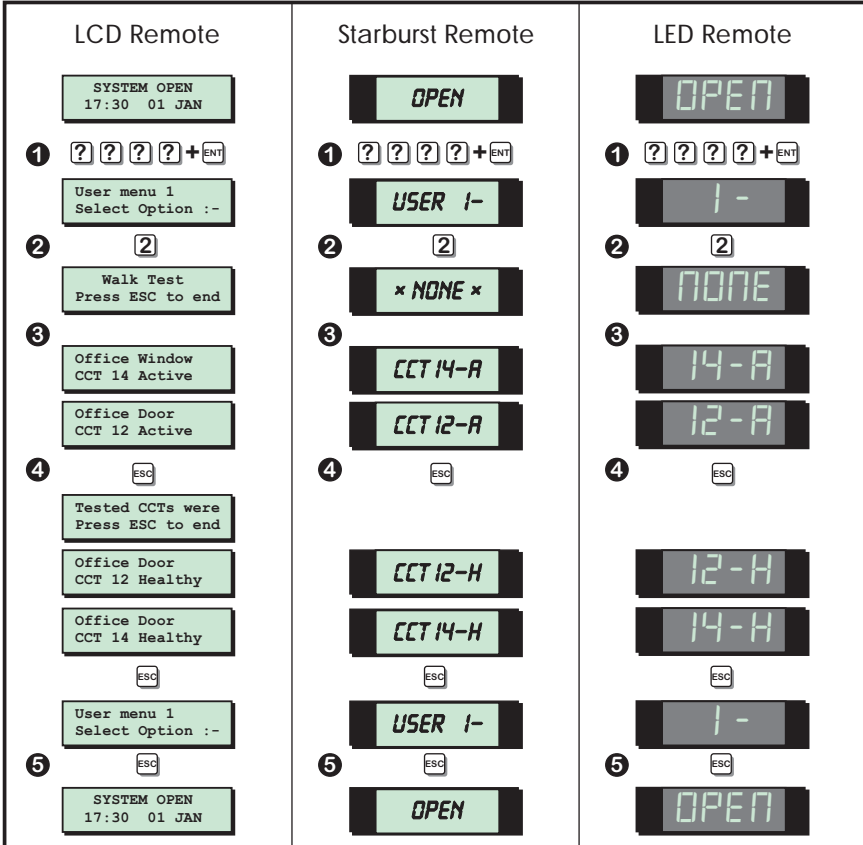
This option allows you to periodically test the external sounders (bell and strobe) and internal sounders. When selected each device will operate in sequence for nine seconds.



1. From the unset (open) mode enter your passcode and press **[ENT]** to select user menu 1.
2. Whilst user menu 1 is selected. Press **[1]** to select the bell test option.
3. The internal sounder operates for 9 seconds, then the external sounder operates for 9 seconds, then the external strobe operates for 9 seconds.
4. When all three tests are completed, the display shows user menu 1. To return the system to the open mode press **[ESC]**.

## Walk Test

This option allows you to test the function of individual detection circuits without causing an alarm. As each circuit is activated the circuit number and status are displayed and the internal sounders generate a two tone "Chime" sound. Once the test has been completed the tested circuits can be reviewed in numerical order.



1. From the unset (open) mode enter your passcode and press **[ENT]** to select user menu 1.
2. Whilst user menu 1 is selected. Press **[2]** to select the walk test option.
3. Activate detection circuits in turn by opening doors with alarm contacts and walking in front of movement detectors.
4. When the test has been completed, press the **[ESC]** key. The display will now automatically scroll through the circuits that were tested in numerical order. The current status of the circuit is also displayed. The **[ENT]** key can be used to scroll through the tested circuits more quickly, if desired.

## Walk Test (Cont.)

5. Press **[ESC]** to leave the walk test option and return to user menu 1. To return the system to the open mode press **[ESC]**.

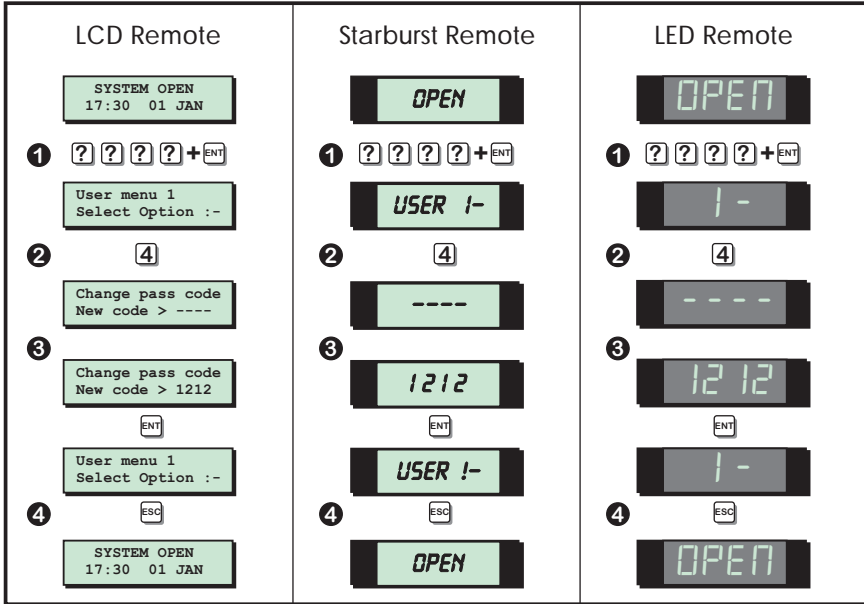
## Remote Reset

This option allows the user to reset the system after an alarm by using a "Remote Reset" code. The full procedure is explained in *"Resetting After an Alarm"* on page 11.



## Change Passcode

This option allows you to change your own passcode. The master users can also add and delete user passcodes, see "Set-up Users" on page 28.

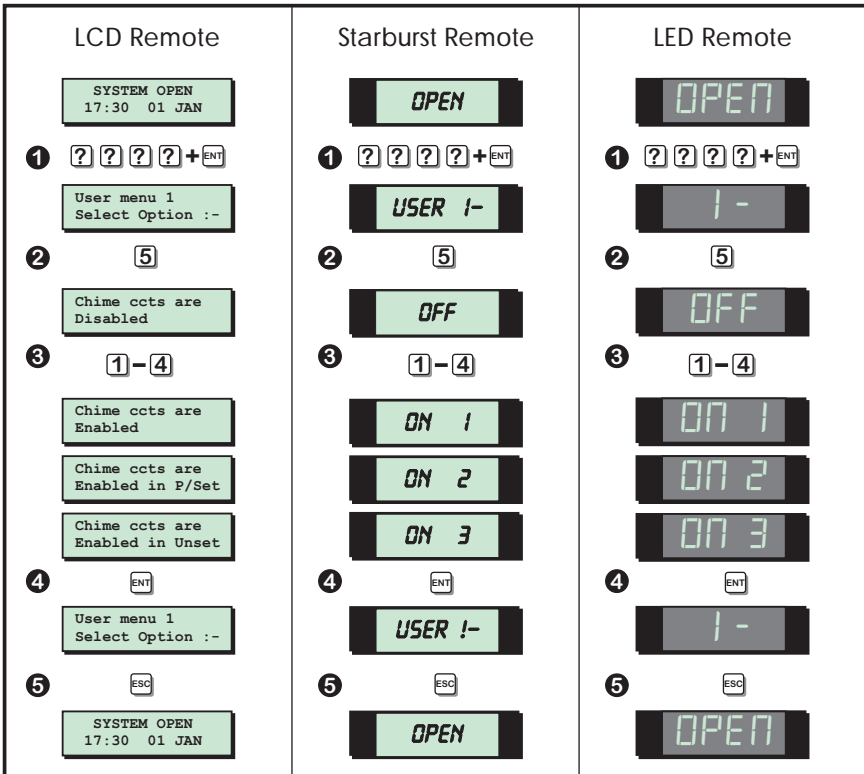


1. From the unset (open) mode enter your passcode and press **[ENT]** to select user menu 1.
2. Whilst user menu 1 is selected. Press **[4]** to select the change passcode option.
3. Enter your new passcode then press the **[ENT]** key. A rising tone indicates acceptance and the system returns to user menu 1. A low tone indicate an error and you will be prompted to re-enter your new code.
4. To return the system to the open mode press **[ESC]**.

## Enable Chime

Detection circuits that have been programmed as “Chime” will generate a two-tone sound when triggered. This option allows you to select one of the four chime options:

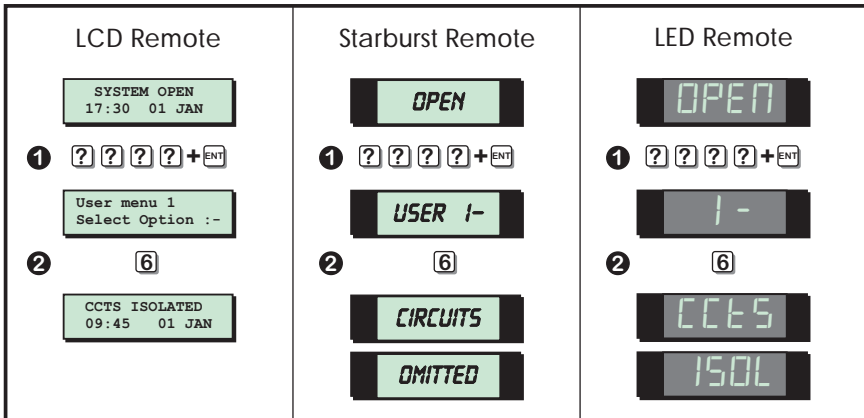
- 1 Disabled                      Chime circuits are disabled.
- 2 Enabled                        Chime circuits are enabled at all times.
- 3 Enabled in P/Set          Chime circuits are enabled when the system is unset or part set.
- 4 Enabled in Unset          Chime circuits are only enabled when the system is unset.



1. From the unset (open) mode enter your passcode and press **[ENT]** to select user menu 1.
2. Whilst user menu 1 is selected. Press **[5]** to select the enable chime option.
3. Select the chime option by pressing keys **[1]** to **[4]** or by pressing **[B]** to alternate between all 4 option.
4. When the display show the required setting press the **[ENT]** key to accept. A rising multi-tone will be heard and the system is returned to user menu 1.
5. To return the system to the open mode press **[ESC]**.

## Isolate/Re-instate Shunt Group

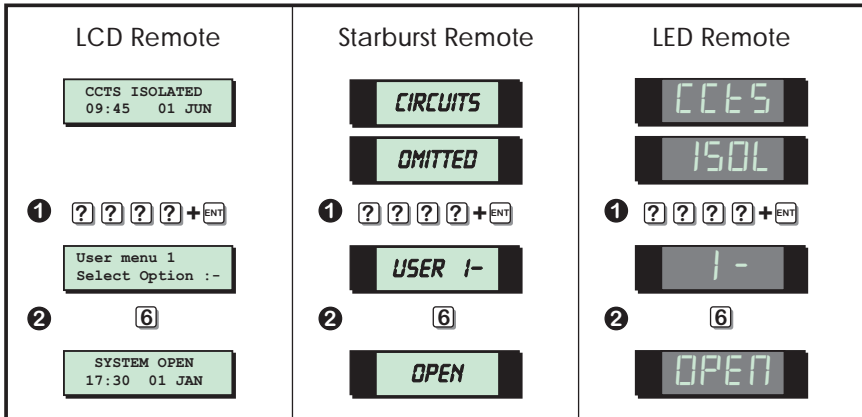
One or more circuits can be assigned to the shunt group, this is normally done by your alarm company although the master user can also configure the circuits that are assigned to the shunt group, see *"Alter Shunt Group"* on page 31. Once a shunt group has been defined this option allows the you isolate and re-instate the circuits that are assigned to the shunt group.



### Isolating a Shunt Group

1. From the unset (open) mode enter your passcode and press **[ENT]** to select user menu 1.
2. Whilst user menu 1 is selected. Press **[6]** to select the isolate/Re-instate shunt group option.
3. The system will automatically return to the open mode and the display will indicate that circuits are isolated.

## Isolate/Re-instate Shunt Group



### Re-instating a Shunt Group

1. From the "CCT ISOLATED" mode enter your passcode and press **[ENT]** to select user menu 1.
2. Whilst user menu 1 is selected. Press **[6]** to select the isolate/Re-instate shunt group option.
3. The system will automatically return to the open mode and the display will indicate that the system is open.

## Omit Circuits

Occasionally it may be necessary to omit detection circuits when setting or part setting the system. This allows the user access to the omitted area(s) when the system is set or part set. It is also possible to omit 24hr or Auxiliary circuits so that access to these areas can be obtained when the system is unset.

Only detection circuits that have been programmed by your alarm company as "Omit" can be selected when using this option.

LCD Remote	Starburst Remote	LED Remote
<div style="border: 1px solid black; padding: 2px; margin-bottom: 5px;">SYSTEM OPEN 17:30 01 JAN</div>	<div style="border: 1px solid black; padding: 2px; margin-bottom: 5px;">OPEN</div>	<div style="border: 1px solid black; padding: 2px; margin-bottom: 5px;">OPEN</div>
<b>1</b> [?] [?] [?] [?] +ENT	<b>1</b> [?] [?] [?] [?] +ENT	<b>1</b> [?] [?] [?] [?] +ENT
<div style="border: 1px solid black; padding: 2px; margin-bottom: 5px;">User menu 1 Select Option :-</div>	<div style="border: 1px solid black; padding: 2px; margin-bottom: 5px;">USER 1-</div>	<div style="border: 1px solid black; padding: 2px; margin-bottom: 5px;">1-</div>
<b>2</b> [7]	<b>2</b> [7]	<b>2</b> [7]
<div style="border: 1px solid black; padding: 2px; margin-bottom: 5px;">Omit Circuits Enter CCT No.&gt;-</div>	<div style="border: 1px solid black; padding: 2px; margin-bottom: 5px;">CCT 01-A</div>	<div style="border: 1px solid black; padding: 2px; margin-bottom: 5px;">01-A</div>
<b>3</b> [0] [3] OR [A] / [C]	<b>3</b> [0] [3] OR [A] / [C]	<b>3</b> [0] [3] OR [A] / [C]
<div style="border: 1px solid black; padding: 2px; margin-bottom: 5px;">Office Detector CCT 03 Armed</div>	<div style="border: 1px solid black; padding: 2px; margin-bottom: 5px;">CCT 03-A</div>	<div style="border: 1px solid black; padding: 2px; margin-bottom: 5px;">03-A</div>
<b>4</b> [B]	<b>4</b> [B]	<b>4</b> [B]
<div style="border: 1px solid black; padding: 2px; margin-bottom: 5px;">Office Detector CCT 03 Omitted</div>	<div style="border: 1px solid black; padding: 2px; margin-bottom: 5px;">CCT 03-0</div>	<div style="border: 1px solid black; padding: 2px; margin-bottom: 5px;">03-0</div>
<b>5</b> [ENT]	<b>5</b> [ENT]	<b>5</b> [ENT]
<div style="border: 1px solid black; padding: 2px; margin-bottom: 5px;">Store Room PIR CCT 04 Armed</div>	<div style="border: 1px solid black; padding: 2px; margin-bottom: 5px;">CCT 04-A</div>	<div style="border: 1px solid black; padding: 2px; margin-bottom: 5px;">04-A</div>
<b>6</b> [ESC]	<b>6</b> [ESC]	<b>6</b> [ESC]
<div style="border: 1px solid black; padding: 2px; margin-bottom: 5px;">CCTS ISOLATED 09:45 01 JAN</div>	<div style="border: 1px solid black; padding: 2px; margin-bottom: 5px;">CIRCUITS</div>	<div style="border: 1px solid black; padding: 2px; margin-bottom: 5px;">CCT 5</div>
<b>a</b>	<div style="border: 1px solid black; padding: 2px; margin-bottom: 5px;">OMITTED</div>	<div style="border: 1px solid black; padding: 2px; margin-bottom: 5px;">150L</div>
<div style="border: 1px solid black; padding: 2px; margin-bottom: 5px;">User menu 1 Select Option :-</div>	<div style="border: 1px solid black; padding: 2px; margin-bottom: 5px;">USER 1-</div>	<div style="border: 1px solid black; padding: 2px; margin-bottom: 5px;">1-</div>
<b>b</b> [0] [A] [B] [C]	<b>b</b> [0] [A] [B] [C]	<b>b</b> [0] [A] [B] [C]
<div style="border: 1px solid black; padding: 2px; margin-bottom: 5px;">Please Exit Now. Time Left &gt; 9999</div>	<div style="border: 1px solid black; padding: 2px; margin-bottom: 5px;">9999</div>	<div style="border: 1px solid black; padding: 2px; margin-bottom: 5px;">9999</div>

## Omit Circuits (Cont.)

1. From the unset (open) mode enter your passcode and press **[ENT]** to select user menu 1.
2. Whilst user menu 1 is selected. Press **[7]** to select the omit circuits option.
3. Select the circuit you require to omit by either entering the circuit number or by using the **[A]** and **[C]** keys to scroll up and down through the circuits.
4. When the required circuit number is displayed press the **[B]** key to alternate between "Armed" and "Omitted". If a low tone is heard when pressing the **[B]** key the selected circuit cannot be omitted.
5. When the display shows the required setting for the selected circuit, press the **[ENT]** key to accept. A rising multi-tone will be heard and the display will show the next available circuit.
6. If required repeat from step (3) for other circuits, When you have selected all the required circuits, press the **[ESC]** key.
  - a) If you have selected 24hr circuits, the system will automatically return to the unset mode and the display will indicate that circuits are isolated.
  - b) If you have only selected night circuits, the system will return to user menu 1. From user menu 1 you must press **[0]** to full set, **[A]**, **[B]** or **[C]** for part set.

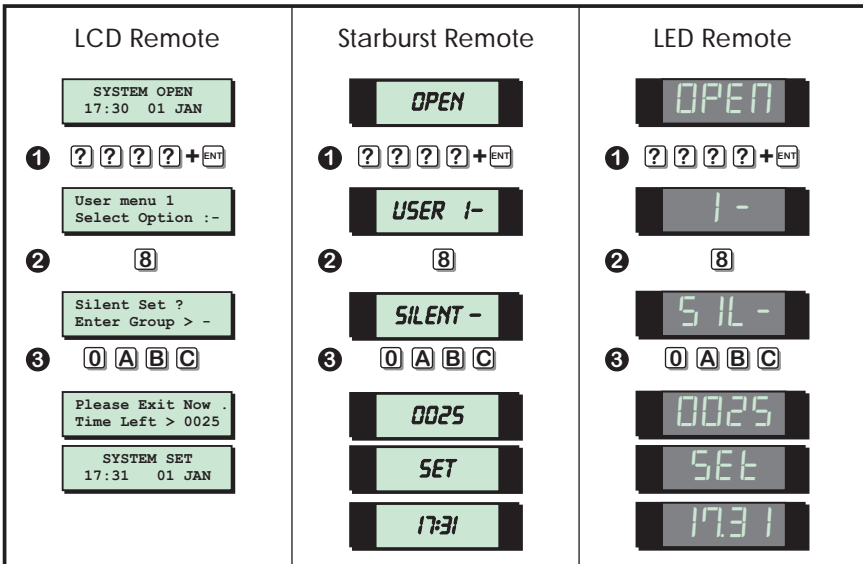


- ◆ *If you have selected night circuit to be omitted, you must perform a full or part set whilst user menu is selected. If you return to system open all selected circuits will be cancelled.*

## Silent Set

This option you to full set or part set the system silently, i.e. no exit sounder, accept for set confirmation tone.

1. From the unset (open) mode enter your passcode and press **[ENT]** to select user menu 1.
2. Whilst user menu 1 is selected. Press **[8]** to select the silent set option.
3. Press **[0]** to silent full set , **[A]**, **[B]** or **[C]** for silent part set.



## Full Set and Part Set

This option offers an alternative method of full setting and part setting.

1. From the unset (open) mode enter your passcode and press **[ENT]** to select user menu 1.
2. Whilst user menu 1 is selected. Press **[0]** to full set the system or **[A]**, **[B]** or **[C]** to part set the system.

# User Menu 2

## Introduction

User menu 2 is accessed by pressing [ENT] whilst user menu 1 is selected. There are 10 menu options and access to these options will depend on your access level.

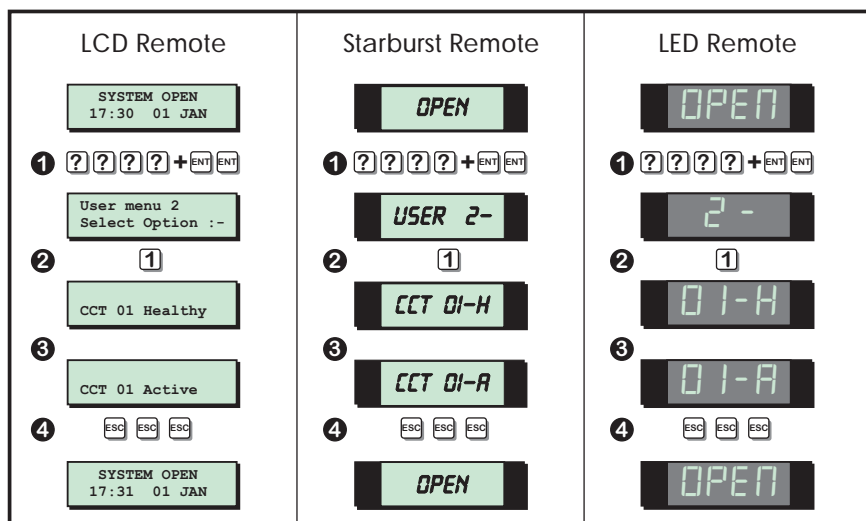
LCD Remote	Starburst Remote	LED Remote
[?] [?] [?] [?] + [ENT] [ENT] User menu 2 Select Option :-	[?] [?] [?] [?] + [ENT] [ENT] USER 2-	[?] [?] [?] [?] + [ENT] [ENT] 2-
<b>1</b> View Circuits CCT 01 Healthy	<b>1</b> View Circuits CCT 01-H	<b>1</b> View Circuits 01H
<b>2</b> Set Clock Set Clock > ----	<b>2</b> Set Clock ----	<b>2</b> Set Clock ----
<b>3</b> Set Date Set Date > ----	<b>3</b> Set Date ----	<b>3</b> Set Date ----
<b>4</b> Setup User Codes Setup users User No. > --	<b>4</b> Setup User Codes USER --	<b>4</b> Setup User Codes Ur--
<b>5</b> Alter Chime Circuits Alter Chime ccts Enter CCT No.>--	<b>5</b> Alter Chime Circuits CCT 01-S	<b>5</b> Alter Chime Circuits 01-S
<b>6</b> Alter Shunt Group Alter Shunt grp Enter CCT No.>--	<b>6</b> Alter Shunt Group CCT 01-A	<b>6</b> Alter Shunt Group 01-A
<b>7</b> Log Printout Omit Circuits Enter CCT No.>--	<b>7</b> Log Printout ---	<b>7</b> Log Printout ---
<b>8</b> Configure Part Set Configure Omits for part set A	<b>8</b> Configure Part Set P SET A	<b>8</b> Configure Part Set P5 A
<b>9</b> View Event Log PASSCODE 01 09:30.05 01/01	<b>9</b> View Event Log USER 01	<b>9</b> View Event Log Ur01
<b>B</b> Circuit Text CCT 01, (B=Edit)	<b>B</b> Circuit Text USE 16X2	<b>B</b> Circuit Text USE LCD



## View Circuits

This option allows you to ascertain the status of each detection circuit, The status for each circuit may be as follows:

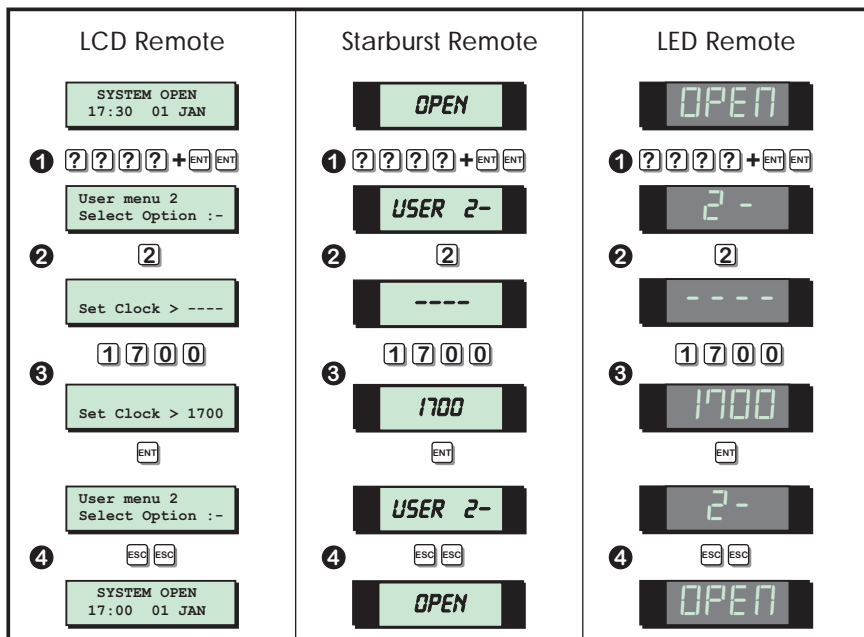
- Healthy** The normal status of a detection circuit, i.e. door closed or detector healthy.
- Active** This is the alarm status of a detection circuit, i.e. door open or detector in alarm.
- Tamper** This is the tamper open circuit status of a detection circuit, i.e. alarm cable cut or a cover removed from a detector.
- Shorted** This is the short circuit status of a detection circuit, i.e. alarm cable shorted or damaged.



1. From the unset (open) mode enter your passcode and press **[ENT]** twice to select user menu 2.
2. Whilst user menu 2 is selected. Press **[1]** to select the view circuits option. The display will show the status of circuit 01.
3. Select the circuit you require to view by either entering the circuit number or by pressing the **[A]** and **[C]** keys to scroll up and down through the circuits.
4. To return the system to the open mode press **[ESC]** three times.

## Set Clock

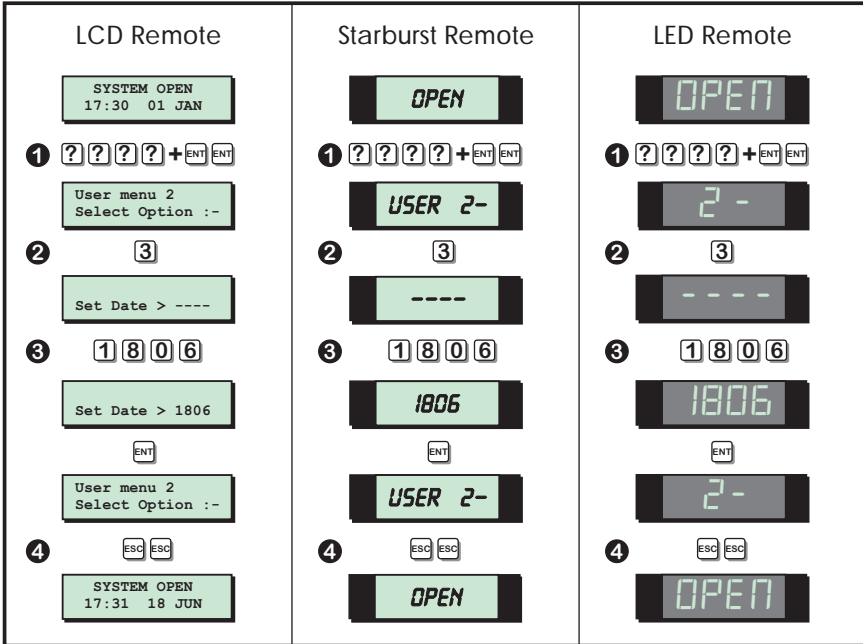
This option allows you to adjust the system clock. The clock is used for providing event times in the event log and is also displayed when the system is unset or full set.



1. From the unset (open) mode enter your passcode and press **[ENT]** twice to select user menu 2.
2. Whilst user menu 2 is selected. Press **[2]** to select the set clock option.
3. Enter the new time in a 24hr format, e.g. 1700 for 5:00 PM. When the display shows the correct time press **[ENT]** to accept.
4. To return the system to the open mode press **[ESC]** twice.

## Set Date

This option allows you to set the system date. It is displayed in a date / month format on all LCD remote keypads.



1. From the unset (open) mode enter your passcode and press **[ENT]** twice to select user menu 2.
2. Whilst user menu 2 is selected. Press **[3]** to select the set date option.
3. Enter the new date in a date/month format, e.g. 1806 for the 18th June. When the display shows the correct date press **[ENT]** to accept.
4. To return the system to the open mode press **[ESC]** twice.

## Setup New Users

The TS690 and TS690ID allows up to 15 users to operate the alarm system, each user is assigned a user type and a passcode. User 01 is the master user which has a default setting of 5678.

### User Types

The following user types are available:

- |                |  |
|----------------|--|
| 1 - Master     | This user type can full set, part set and unset the system. A master user also has access to all user menus and options providing the alarm company has programmed the master user for full access. If the master user has been programmed for limited access the master user cannot access user menu 2 option 6 (Alter shunt group) and 8 (Configure Part Sets).                      |
| 2 - Standard   | This user type can full set, part set and unset the system. A standard user also has access to all the options in user menu 1.   |
| 3 - Holiday    | This user type can full set, part set and unset the system. A holiday user also has access to all the options in user menu 1. However, When the system is next unset by a master user, the holiday passcode is automatically deleted from the system.  |
| 4 - Set Only   | This user type operates in the same way as a standard user, except that it only allows setting and part setting of the system.   |
| 5 - Reset Only | This user type allows unset alarms such as 24hr, fire, auxiliary to be silenced and reset. The user type also has access to user menu 1 options 1 to 7.  |
| 6 - Duress     | This user type operates in the same way as a standard user, but when the passcode is used a silent "Panic Alarm" is transmitted to the alarm receiving centre.<br><i>If enabled by your alarm company all users can generate a "Duress" alarm by entering their passcode with the first two digits reversed (e.g. for a passcode of 2580 enter 5280 to generate a "Duress" alarm).</i> |
| 7 - PA Code    | This user type does not have access to any user menus nor can it be used to set and unset the system. When this user code is entered a "Panic Alarm" is transmitted to the alarm receiving centre and the external sounder(s) and strobe light(s) are also activated.  |
| 8 - Shunt      | This user type does not have access to any user menus nor can it be used to set and unset the system. When this user code is entered it will isolate a predefined group of detection circuits. When the code is re-entered it will reinstate the group.<br><i>This user type is displayed as "Access" on the starburst remote keypad.</i>  |

## Setup New Users (Cont.)

LCD Remote	Starburst Remote	LED Remote
SYSTEM OPEN 17:30 01 JAN	OPEN	OPEN
① [?] [?] [?] [?] + [ENT] [ENT]	① [?] [?] [?] [?] + [ENT] [ENT]	① [?] [?] [?] [?] + [ENT] [ENT]
User menu 2 Select Option :-	USER 2-	2-
② [4]	② [4]	② [4]
Setup users User No. > --	USER --	Ur.--
③ [0] [3] [ENT]	③ [0] [3] [ENT]	③ [0] [3] [ENT]
Alter user type Not in use	NOT USED	NotU
④ [1]-[8]	④ [1]-[8]	④ [1]-[8]
Alter user type Master	MASTER	6YP.1
[ENT]	[ENT]	[ENT]
Change pass code New code > ----	----	----
⑤ [2] [5] [8] [0]	⑤ [2] [5] [8] [0]	⑤ [2] [5] [8] [0]
Change pass code New code > 2580	2580	2580
[ENT]	[ENT]	[ENT]
Setup users User No. > --	USER --	Ur.--
⑥ [ESC] [ESC] [ESC]	⑥ [ESC] [ESC] [ESC]	⑥ [ESC] [ESC] [ESC]
SYSTEM OPEN 17:31 18 JAN	OPEN	OPEN

1. From the unset (open) mode enter your passcode and press **[ENT]** twice to select user menu 2.
2. Whilst user menu 2 is selected. Press **[4]** to select the set-up new users option.
3. Enter the user number (02 - 15) that you require to set-up, then press **[ENT]**.
4. The display shows the current type assigned for the selected user, to change the user type press **[1] - [8]**. When the display show the required user type press **[ENT]** to accept.
5. Enter the 4 digit passcode for the selected user, then press **[ENT]** to accept. A rising multi-tone indicates the new passcode was accepted. A low tone indicates that the passcode entered is not available, re-enter, using a different 4 digit code.
6. The system will return to step 3, if required repeat for other users or press **[ESC]** three times to return the system to the open mode.

## Alter Chime Circuits

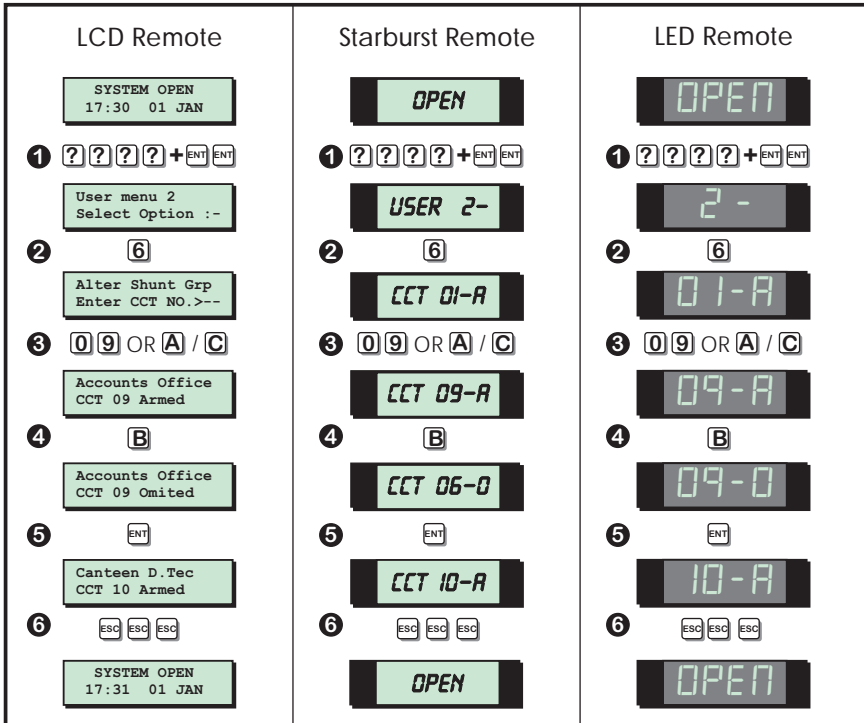
This option allows you to select which detection circuits will cause a chime tone when triggered. Once programmed, users that have access to user menu 1 can select one of the four chime options, see *"Enable Chime"* on page 18.

LCD Remote	Starburst Remote	LED Remote
<div style="border: 1px solid black; padding: 5px; margin-bottom: 5px;">SYSTEM OPEN 17:30 01 JAN</div>	<div style="border: 1px solid black; padding: 5px; margin-bottom: 5px;">OPEN</div>	<div style="border: 1px solid black; padding: 5px; margin-bottom: 5px;">OPEN</div>
<b>1</b> [?] [?] [?] [?] + [ENT] [ENT]	<b>1</b> [?] [?] [?] [?] + [ENT] [ENT]	<b>1</b> [?] [?] [?] [?] + [ENT] [ENT]
<div style="border: 1px solid black; padding: 5px; margin-bottom: 5px;">User menu 2 Select Option :-</div>	<div style="border: 1px solid black; padding: 5px; margin-bottom: 5px;">USER 2-</div>	<div style="border: 1px solid black; padding: 5px; margin-bottom: 5px;">2-</div>
<b>2</b> [5]	<b>2</b> [5]	<b>2</b> [5]
<div style="border: 1px solid black; padding: 5px; margin-bottom: 5px;">Alter Chime ccts Enter CCT NO.&gt;--</div>	<div style="border: 1px solid black; padding: 5px; margin-bottom: 5px;">CCT 01-S</div>	<div style="border: 1px solid black; padding: 5px; margin-bottom: 5px;">01-S</div>
<b>3</b> [0] [6] OR [A] / [C]	<b>3</b> [0] [6] OR [A] / [C]	<b>3</b> [0] [6] OR [A] / [C]
<div style="border: 1px solid black; padding: 5px; margin-bottom: 5px;">Entrance Door CCT 06 Silent</div>	<div style="border: 1px solid black; padding: 5px; margin-bottom: 5px;">CCT 06-S</div>	<div style="border: 1px solid black; padding: 5px; margin-bottom: 5px;">06-S</div>
<b>4</b> [B]	<b>4</b> [B]	<b>4</b> [B]
<div style="border: 1px solid black; padding: 5px; margin-bottom: 5px;">Entrance Door CCT 06 Chime</div>	<div style="border: 1px solid black; padding: 5px; margin-bottom: 5px;">CCT 06-C</div>	<div style="border: 1px solid black; padding: 5px; margin-bottom: 5px;">06-C</div>
[ENT]	[ENT]	[ENT]
<div style="border: 1px solid black; padding: 5px; margin-bottom: 5px;">Loading Bay Door CCT 07 Silent</div>	<div style="border: 1px solid black; padding: 5px; margin-bottom: 5px;">CCT 07-S</div>	<div style="border: 1px solid black; padding: 5px; margin-bottom: 5px;">07-S</div>
<b>5</b> [ESC] [ESC] [ESC]	<b>5</b> [ESC] [ESC] [ESC]	<b>5</b> [ESC] [ESC] [ESC]
<div style="border: 1px solid black; padding: 5px; margin-bottom: 5px;">SYSTEM OPEN 17:31 01 JAN</div>	<div style="border: 1px solid black; padding: 5px; margin-bottom: 5px;">OPEN</div>	<div style="border: 1px solid black; padding: 5px; margin-bottom: 5px;">OPEN</div>

1. From the unset (open) mode enter your passcode and press **[ENT]** twice to select user menu 2.
2. Whilst user menu 2 is selected. Press **[5]** to select the alter chime circuits option.
3. Select the required circuit by either entering the circuit number or by using the **[A]** and **[C]** keys to scroll up and down through the circuits.
4. When the required circuit is displayed, press **[B]** to alternate between "Silent" and "Chime". When the display show the required setting press **[ENT]** to accept. A rising multi-tone will be heard and the next available circuit is displayed.
5. Repeat from step 3 for other circuits or press **[ESC]** three times to return to the open mode.

## Alter Shunt Group

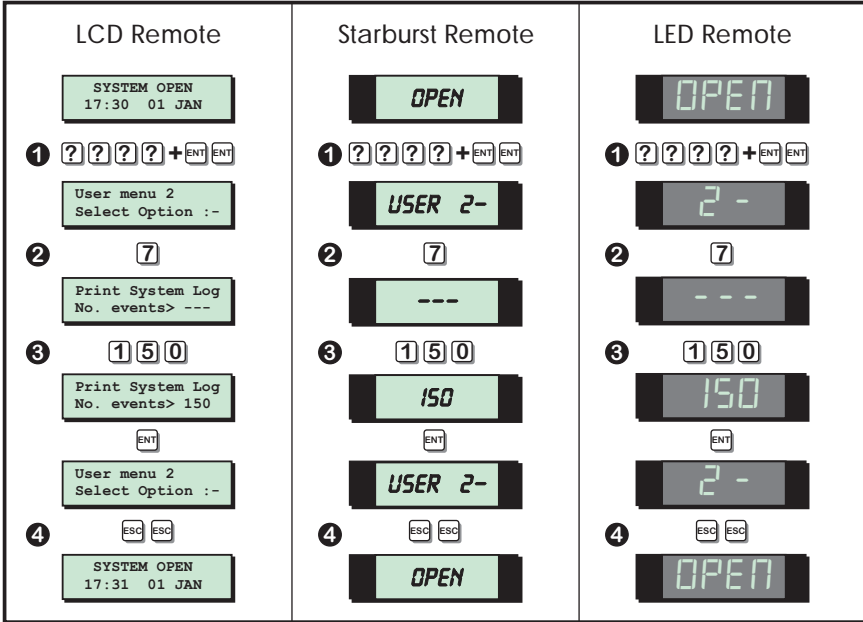
This option allows you to define which detection circuits are allocated to the shunt group. Once assigned to the shunt group all circuits within the group can be isolated by any user that has access to user menu 1 option 6 (Omit Shunt Group). The shunt group can also be assigned to a user code (Shunt), this allow the group to be omitted and re-instated by entering a 4 digit passcode.



1. From the unset (open) mode enter your passcode and press **[ENT]** twice to select user menu 2.
2. Whilst user menu 2 is selected. Press **[6]** to select the alter shunt group option.
3. Select the required circuit by either entering the circuit number or by using the **[A]** and **[C]** keys to scroll up and down through the circuits.
4. When the required circuit is displayed, press **[B]** to alternate between "Armed" and "Omitted".
5. When the display show the required setting press **[ENT]** to accept. A rising multi-tone will be heard and the next available circuit is displayed.
6. Repeat from step 3 for other circuits or press **[ESC]** three times to return to the open mode.

## Print System Log

The system log stores 700 events. If a printer is connected to your alarm system it is possible to print a selected number of log events.

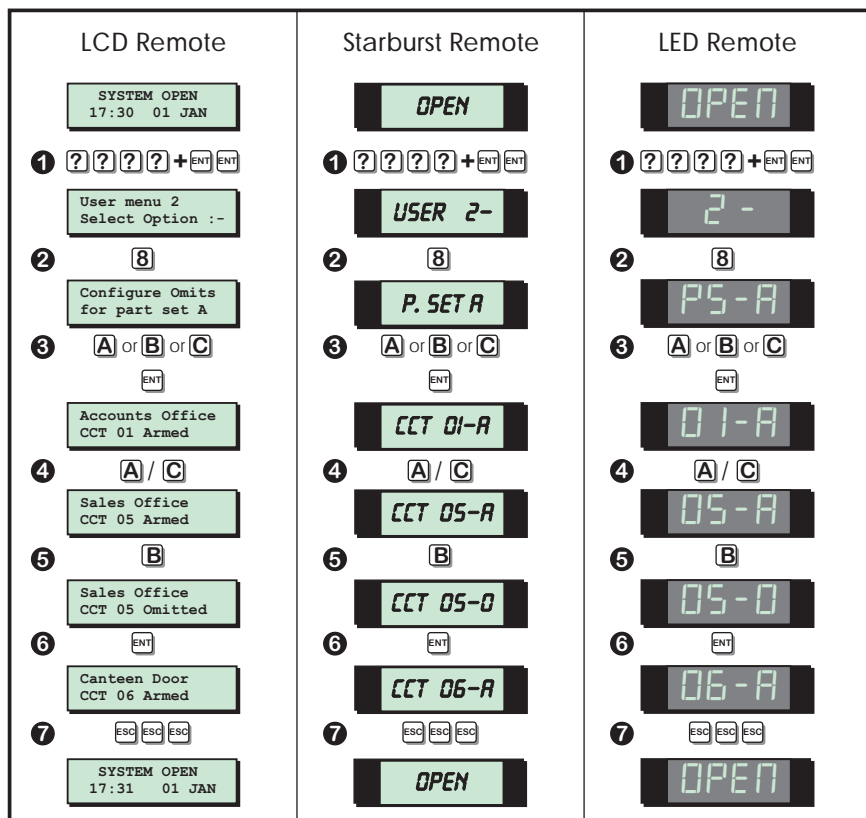


1. From the unset (open) mode enter your passcode and press **[ENT]** twice to select user menu 2.
2. Whilst user menu 2 is selected. Press **[7]** to select the print system log option.
3. Enter the number of events to be printed (001 - 700). Press **[ENT]** to start the printout. To cancel printout repeat from step 2 and enter "000" for the number of events.
4. To return the system to the open mode press **[ESC]** twice.



## Set-up Part Sets

The TS690 and TS690ID can be configured to have up to three parts set modes (Part Set A, Part Set B and Part Set C). This option allows the master user to configure each part set mode. Within each part set mode you must designate which circuits will remain armed and which circuits will be omitted. When the relevant part set mode is selected the system only arms the circuits that are designated as armed and isolates the circuits that are designated as omitted.



1. From the unset (open) mode enter your passcode and press **[ENT]** twice to select user menu 2.
2. Whilst user menu 2 is selected. Press **[8]** to select the set-up part sets option.
3. Select the part set mode you require to set-up by pressing **[A]**, **[B]** or **[C]** then **[ENT]**.
4. Select the required circuit by either entering the circuit number or by using the **[A]** and **[C]** keys to scroll up and down through the circuits.

## Setup Part Sets (Cont.)

- When the required circuit is displayed, press **[B]** to alternate between "Armed" and "Omitted". An armed circuit will remain armed when the system part set, an omitted circuit will be isolated when the system is part set.
- When the display show the required setting press **[ENT]** to accept. A rising multi-tone will be heard and the next available circuit is displayed.
- Repeat from step 3 for other circuits or press **[ESC]** three times to return to the open mode.

## View Log

The TS690 and TS690ID store up to 700 events in the log. This option allows you to view each event.

LCD Remote	Starburst Remote	LED Remote
<p>SYSTEM OPEN 07:30 01 JAN</p>	<p>OPEN</p>	<p>OPEN</p>
<p>1 [?] [?] [?] [?] + [ENT] [ENT]</p>	<p>1 [?] [?] [?] [?] + [ENT] [ENT]</p>	<p>1 [?] [?] [?] [?] + [ENT] [ENT]</p>
<p>User menu 2 Select Option :-</p>	<p>USER 2-</p>	<p>2-</p>
<p>2 [9]</p>	<p>2 [9]</p>	<p>2 [9]</p>
<p>PASSCODE 01 09:30.59 28/04</p>	<p>USER 01</p>	<p>U-01</p>
<p>3 [A] / [C]</p>	<p>3 [A] / [C]</p>	<p>3 [A] / [C]</p>
<p>ALARM 05 06:30.59 28/04</p>	<p>ALARM 05</p>	<p>CR05</p>
<p>4 [B]</p>	<p>4 [B]</p>	<p>4 [B]</p>
<p>Office Door 06:30.59 28/04</p>	<p>06:30 Time (hours : min)</p>	<p>06.30 Time (hours : min)</p>
	<p>[B]</p>	<p>[B]</p>
	<p>18:04 Date (day : month)</p>	<p>18.04 Date (day : month)</p>
	<p>[B]</p>	<p>[B]</p>
	<p>30.59 Time (min : sec)</p>	<p>30.59 Time (min : sec)</p>
	<p>5 [ESC] [ESC] [ESC]</p>	<p>5 [ESC] [ESC] [ESC]</p>
<p>SYSTEM OPEN 17:31 01 JAN</p>	<p>OPEN</p>	<p>OPEN</p>

## View Log (Cont.)

1. From the unset (open) mode enter your passcode and press **[ENT]** twice to select user menu 2.
2. Whilst user menu 2 is selected. Press **[9]** to select the view log option.
3. The display will show the most recent event, see log event codes. To navigate through the log, use the **[A]** and **[C]** keys to scroll backwards and forwards.
4. The **[B]** key can be used to display addition information for the select event, the type of information displayed will depend on the remote keypad type that is being used:
  - a) When using LCD remote keypads the **[B]** can be used to display circuit text.
  - b) When using LED or Starburst remote keypads the **[B]** can be used to display the time, date and time (minutes & Seconds).
5. To return the system to the open mode press **[ESC]** three times.

## Log Event Codes

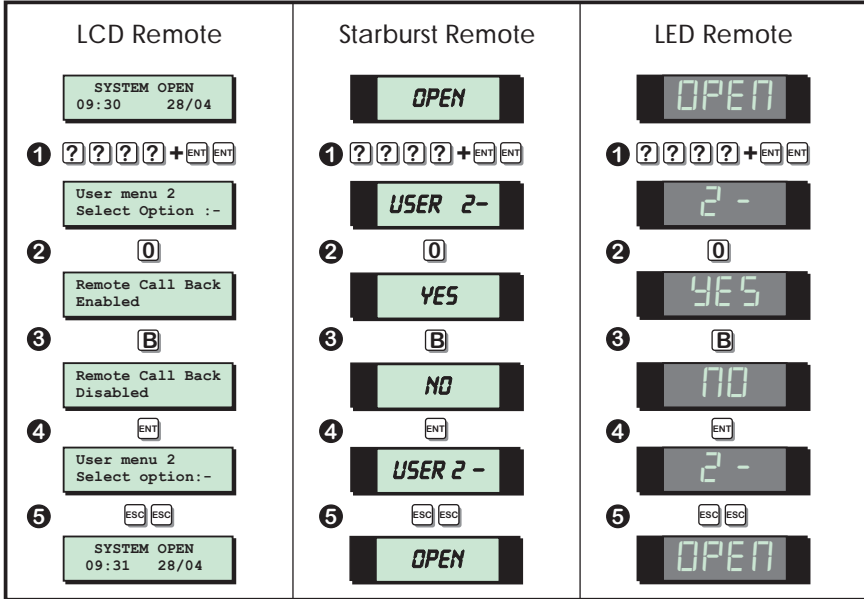
LCD	Starburst	LED	Description
AC OFF	<i>R.C. OFF</i>	PF	Mains power removed.
AC RESTORED	<i>R.C. ON</i>	Pr	Mains power restored
ACTION ALARM	<i>ALM SENT</i>	RR	Alarm activated when system is part-set.
ALARM 01-38	<i>ALARM 01-38</i>	C RD 1-38	Full alarm from circuit (01-38).
AUX/BELL TAMPER	<i>AUX TRMP</i>	RL	Auxiliary tamper activated.
AUXILIARY 01-38	<i>AUX 01-38</i>	RLD 1-38	Auxiliary circuit activated.
BATTERY FAULT	<i>BATT FLT</i>	bF	Battery fault (voltage below 10.5V).
BELL TESTED	<i>BELL TST</i>	bE	External bell and strobes tested.
CALL BACK No. 01-03	<i>C. BACK 01-03</i>	C bD 1-03	Modem making a call back to remote PC.
CCT OMITTED	<i>OMIT'D 01-38</i>	C OD 1-38	Circuits omitted by the user at time of Setting.
CCTS ISOLATED	<i>24HR OMT</i>	C I	24Hr group omitted during the unset condition.
CCTS TESTED 01-38	<i>TEST'D 01-38</i>	E cD 1-38	The number of circuits tested during Walk Test.
CODE TAMPER	<i>C.TMP 01-04</i>	P E D 1-04	Code tamper from keypad 01-04
COMMS ACTIVE	<i>COM ACT</i>	c R	Plug-on digicom active.
COMMS FAILED	<i>COMS FLT</i>	c F	Plug-on digicom failed to communicate.
COMMS SUCCESSFUL	<i>COMS OK</i>	c c	Plug-on digicom communicated successfully.
DATE CHANGED	<i>DATE CHG</i>	d c	System Date changed.
DEFAULT CODE	<i>DEFLT 01</i>	d F	User passcode (01) reset to 5678 by the engineer.
DELAY ALARM 01-38	<i>DELAY 01-38</i>	R d D 1-38	Delayed alarm during a part-set condition.
DURESS 01-15	<i>DUR 55 01-15</i>	d u D 1-15	Duress alarm from user passcode (01-15).

## Log Event Codes (Cont.)

LCD	Starburst	LED	Description
ENTRY 01-38	<i>ENTRY 01-38</i>	<i>END 1-38</i>	Entry timer started by circuit (01-38).
ENTRY ALARM 01-38	<i>EN.ALM 01-38</i>	<i>ERD 1-38</i>	Entry timed-out alarm from circuit (01-38).
FACTORY RESTART	<i>FACT. RST</i>	<i>Fr</i>	System "Factory Restarted".
FIRE ALARM 01-38	<i>FIRE 01-38</i>	<i>FAD 1-38</i>	Fire alarm circuit activated.
FIRST KNOCK 01-38	<i>FIRST 01-38</i>	<i>FND 1-38</i>	The first activation of a Double Knock circuit.
FUSE BLOWN 01	<i>FUSE 01</i>	<i>FbD 1</i>	Control Panel 12V Auxiliary Fuse blown.
KEY POINT 01-38	<i>KEY.SW 01-38</i>	<i>SoD 1-38</i>	Key point operation from circuit (01-38).
LINE FAULT	<i>LINE FLT</i>	<i>LF</i>	Telephone line fault detected.
LINE RESTORED	<i>LINE OK</i>	<i>Lr</i>	Telephone line fault restored.
MODEM LOCK-OUT	<i>LOCK-OUT</i>	<i>LD</i>	Modem failed to communicate.
NO EVENT	<i>NO EVENT</i>	<i>--</i>	No log event.
OMITS REMOVED	<i>OMIT REM</i>	<i>Or</i>	Previously omitted circuits reinstated.
ON-SITE RESTART	<i>SITE. RST</i>	<i>Sr</i>	System "On-Site" restart.
PA ALARM 01-38	<i>PA.ALM 01-38</i>	<i>PAD 1-38</i>	Panic Alarm circuit activated.
PA CODE 00-15	<i>PANIC 00-15</i>	<i>PC.00- 15</i>	Panic Alarm passcode entered (00 = Keypad PA).
PANEL LID TAMPER	<i>LID TAMP</i>	<i>Lt</i>	Control panel lid removed.
PART SET A/B/C	<i>P.SET A/B/C</i>	<i>PSA/b/c</i>	System Part-Set using one of the A, B, or C buttons.
PASSCODE 00-15	<i>USER 00-15</i>	<i>Ur.00- 15</i>	User passcode entered. (00-15).
REM REMOVED 01-04	<i>R. REM 01-04</i>	<i>rrD 1-04</i>	Remote Keypad removed from system.
REM SERVICE CALL	<i>R.S. CALL</i>	<i>SC</i>	Remote service call via "Lineload" software and PC.
REM TAMPER 01-04	<i>R. TMP 01-04</i>	<i>reD 1-04</i>	Remote Keypad cover removed.
REMOTE ADDED 01-04	<i>R. ADD 01-04</i>	<i>rAD 1-04</i>	Remote Keypad added to the system.
REMOTE RESET	<i>REM RST</i>	<i>rc</i>	System reset by "Remote Reset" passcode.
SERVICE CALL END	<i>R.S. END</i>	<i>SE</i>	Remote service call finished.
SERVICE REQUIRED	<i>SERVICE</i>	<i>rS</i>	Service required
SET FAIL	<i>SET FAIL</i>	<i>SF</i>	System failed to Set.
SYSTEM OPEN	<i>SYS OPEN</i>	<i>OP</i>	System fully unset.
SYSTEM RE-ARMED	<i>RE-ARMED</i>	<i>rA</i>	System re-armed all healthy circuits.
SYSTEM SET	<i>FULL SET</i>	<i>FS</i>	System fully set.
TAMPER 00	<i>TAMP R 00</i>	<i>tAD0</i>	Short circuit on ID loop.
TAMPER 01-38	<i>TAMP R 01-38</i>	<i>tAD 1-38</i>	Tamper alarm from circuit.
TEST CCTS OFF	<i>TEST OFF</i>	<i>to</i>	All circuits taken off "Test"
TEST FAIL 01-38	<i>T. FAIL 01-38</i>	<i>tFD 1-38</i>	Circuit failed during "Test".
TIME CHANGED	<i>TIME CHG</i>	<i>tc</i>	System time changed
WALK TEST	<i>WALK TST</i>	<i>ct</i>	System "Walk Test" selected.

## Enable Remote Service

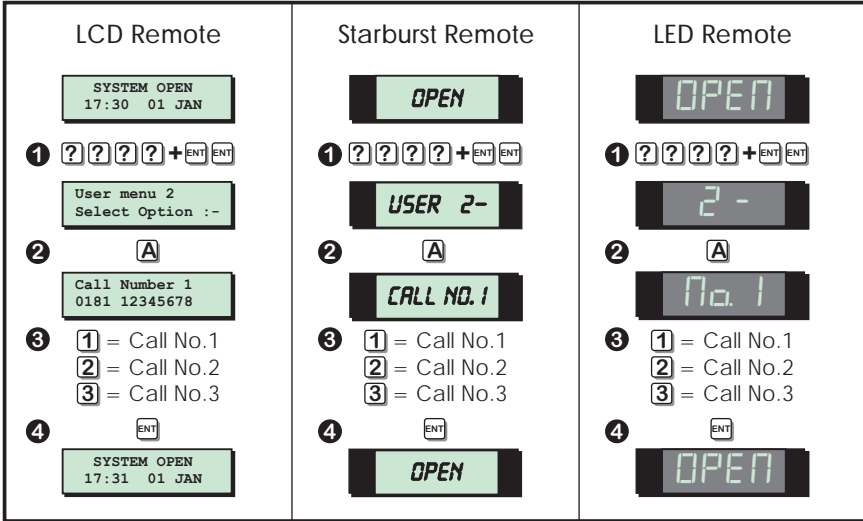
If your alarm system has been fitted with a modem, the alarm company can dial into the system and remotely read and write data from the control panel. For added security, your alarm system can be programmed so that a master user has to authorise the writing of data to the control panel.



1. From the unset (open) mode enter your passcode and press **[ENT]** twice to select user menu 2.
2. Whilst user menu 2 is selected. Press **[0]** to select the enable remote service option. If a low tone is heard your system has either been configured so that remote servicing is always enabled or your system does not have a modem fitted.
3. The display will show the current status of remote servicing (Enabled or Disabled). Press **[B]** to alternate between the two options.
4. When the display shows the required setting press **[ENT]** to accept. A rising multi-tone will be heard and the system will return to user menu 2.
5. To return the system to the open mode press **[ESC]** twice.

## Initiate Service Call

If your alarm system has been fitted with a modem it is possible for a master user to initiate an upload sequence to a remote site (normally the alarm company). Once the communication link is established, the remote site can read and write data from the control panel.



1. From the unset (open) mode enter your passcode and press **[ENT]** twice to select user menu 2.
2. Whilst user menu 2 is selected. Press **[A]** to select the Initiate remote service call option. If a low tone is heard your system does not have a modem fitted.
3. Press **[1]** - **[3]** to select call-back telephone number 1 -3.
4. When the display shows the required telephone number press **[ENT]** to initiate the call-back sequence.
5. The system will automatically return to the open mode.

## Circuit Text (LCD Only)

Each detection circuit can have up to 16 characters of text assigned to it. This option allows you to program / edit the circuit text.

LCD Remote	Text Editing Keys															
<div style="border: 1px solid black; padding: 5px; margin-bottom: 5px; text-align: center;">SYSTEM OPEN 17:30 01 JAN</div> <p>1 <span style="border: 1px solid black; padding: 2px;">?</span> <span style="border: 1px solid black; padding: 2px;">?</span> <span style="border: 1px solid black; padding: 2px;">?</span> <span style="border: 1px solid black; padding: 2px;">?</span> + <span style="border: 1px solid black; padding: 2px;">ENT</span> <span style="border: 1px solid black; padding: 2px;">ENT</span></p> <div style="border: 1px solid black; padding: 5px; margin-bottom: 5px; text-align: center;">User menu 2 Select Option :-</div> <p>2 <span style="border: 1px solid black; padding: 2px;">B</span></p> <div style="border: 1px solid black; padding: 5px; margin-bottom: 5px; text-align: center;">Office Detector CCT 01, (B=Edit)</div> <p>3 <span style="border: 1px solid black; padding: 2px;">A</span> = Next circuit <span style="border: 1px solid black; padding: 2px;">C</span> = Previous circuit</p> <p>4 <span style="border: 1px solid black; padding: 2px;">B</span> = Edit text</p> <div style="border: 1px solid black; padding: 5px; margin-bottom: 5px; text-align: center;">Office Detector ^CT 01, (B=Edit)</div> <p style="margin-left: 20px;">└─ Cursor</p> <p>5 Use keys to edit text</p> <div style="border: 1px solid black; padding: 2px; margin: 5px auto; text-align: center;">ENT</div> <div style="border: 1px solid black; padding: 5px; margin-bottom: 5px; text-align: center;">Office Door CCT 01, (B=Edit)</div> <p>6 <span style="border: 1px solid black; padding: 2px;">ESC</span> <span style="border: 1px solid black; padding: 2px;">ESC</span> <span style="border: 1px solid black; padding: 2px;">ESC</span></p> <div style="border: 1px solid black; padding: 5px; margin-bottom: 5px; text-align: center;">SYSTEM OPEN 17:31 01 JAN</div>	<p style="text-align: center;"><b>Text Editing Keys</b></p> <table style="width: 100%; border: none;"> <tr> <td style="width: 33%;">1 A</td> <td style="width: 33%;">2 E</td> <td style="width: 33%;">3 I</td> </tr> <tr> <td>4 O</td> <td>5 U</td> <td>6 0 (zero)</td> </tr> <tr> <td>7 Move cursor left</td> <td>8 Change case</td> <td>9 Move cursor right</td> </tr> <tr> <td>ENT Accept text</td> <td>0 Space</td> <td>ESC Abandon text editing</td> </tr> <tr> <td>A Up the alphabet</td> <td>B Change cursor</td> <td>C Down the alphabet</td> </tr> </table> <p style="text-align: center; margin-top: 20px;"><b>Cursor Types</b></p> <p>^ This is the normal text cursor. Use the text editing key as shown above.</p> <p>  This is the number cursor. Use the numbered keys 0 - 9 to enter numeric data.</p>	1 A	2 E	3 I	4 O	5 U	6 0 (zero)	7 Move cursor left	8 Change case	9 Move cursor right	ENT Accept text	0 Space	ESC Abandon text editing	A Up the alphabet	B Change cursor	C Down the alphabet
1 A	2 E	3 I														
4 O	5 U	6 0 (zero)														
7 Move cursor left	8 Change case	9 Move cursor right														
ENT Accept text	0 Space	ESC Abandon text editing														
A Up the alphabet	B Change cursor	C Down the alphabet														

1. From the unset (open) mode enter your passcode and press **[ENT]** twice to select user menu 2.
2. Whilst user menu 2 is selected. Press **[B]** to select the circuit text option.
3. Select the required circuit by either entering the circuit number or by using the **[A]** and **[C]** keys to scroll up and down through the circuits.
4. When the display shows the required circuit press **[B]** to edit the text, the text cursor will appear at the bottom left hand position on the display.
5. Use the keys to edit the text. When the display shows the required text press **[ENT]** to accept.
6. Repeat from step 3 for other circuits or press **[ESC]** three time to return to the open mode.

# Fault Finding

## Display Messages

Displays	Description
<p>AC OFF 17:30 01 Jan</p> <p><b>A.C. OFF</b></p> <p>PF</p>	<p>There is no mains power to the control panel and the alarm system is now running on its standby battery. The system will also generate a chime tone every minute to warn you that the fault exists, to silence the chime tones simply enter your passcode. If the mains power is not restored you may not be able to set the alarm system. If the fault persists the standby battery will eventually run flat. Contact your alarm company for further advice.</p>
<p>ALARM 05 17:30 01 Jan</p> <p><b>ALARM 05</b></p> <p>CA05</p>	<p>A full alarm has occurred from a detection circuit (circuit 05). This message is normally display after unsetting the alarm system. Before the system can be set again the alarm system must be reset, see <i>"Resetting After an Alarm"</i> on page 11.</p>
<p>AUXILIARY 06 17:30 01 Jan</p> <p><b>AUX 06</b></p> <p>AU06</p>	<p>An auxiliary alarm has occurred from a detection circuit (circuit 06). The type of alarm is silent and will activate the appropriate outputs. To reset the alarm simply enter your passcode followed by [ESC].</p>
<p>AUX/BEL TAMPER 17:30 01 Jan</p> <p><b>AUX TAMP</b></p> <p>AT</p>	<p>The control panel auxiliary or bell tamper circuits have been activated. If the fault is not cleared you will not be able to set the alarm system. To silence the alarm simply enter your passcode. Contact your alarm company for further advice.</p>
<p>BATTERY FAULT 17:30 01 Jan</p> <p><b>BATT FLT</b></p> <p>BF</p>	<p>The alarm system standby battery has developed a fault, normally because the system mains power is not present. If the fault is not cleared you will not be able to set the alarm system. To silence the alarm simply enter your passcode. Contact your alarm company for further advice.</p>
<p>CCTS ISOLATED 17:30 01 Jan</p> <p><b>24HR OMT</b></p> <p>CI</p>	<p>One or more circuits have been isolated from the system. For full details refer to <i>"Isolate / Re-Instate Shunt Group"</i> on page 19.</p>



## Display Messages (Cont.)

<div style="border: 1px solid black; padding: 2px; margin-bottom: 2px;"> <small>CODE TAMPER 02 17:30 01 Jan</small> </div> <div style="border: 1px solid black; padding: 2px; margin-bottom: 2px; background-color: #333; color: white; text-align: center;"> <b>C.TMP 02</b> </div> <div style="border: 1px solid black; padding: 2px; background-color: #333; color: white; text-align: center;"> <b>PT.02</b> </div>	<p>A passcode has been incorrectly entered more than four times at a remote keypad (keypad 02). To silence the alarm enter a correct passcode. To reset the alarm simply enter your passcode followed by [ESC].</p>
<div style="border: 1px solid black; padding: 2px; margin-bottom: 2px;"> <small>DELAY ALARM 05 17:30 01 Jan</small> </div> <div style="border: 1px solid black; padding: 2px; margin-bottom: 2px; background-color: #333; color: white; text-align: center;"> <b>DELAY 05</b> </div> <div style="border: 1px solid black; padding: 2px; background-color: #333; color: white; text-align: center;"> <b>AD05</b> </div>	<p>A delayed full alarm has occurred from a detection circuit (circuit 05). This message is normally display after unsetting the alarm system. Before the system can be set again the alarm system must be reset, see <i>"Resetting After an Alarm"</i> on page 11.</p>
<div style="border: 1px solid black; padding: 2px; margin-bottom: 2px;"> <small>ENTRY ALARM 01 17:30 01 Jan</small> </div> <div style="border: 1px solid black; padding: 2px; margin-bottom: 2px; background-color: #333; color: white; text-align: center;"> <b>ENTRY 01</b> </div> <div style="border: 1px solid black; padding: 2px; background-color: #333; color: white; text-align: center;"> <b>EAD1</b> </div>	<p>An entry time out alarm has occurred from a detection circuit (circuit 01). This is normally caused when the entry procedure is started and the system is not unset before the timer expires. Before the system can be set again the alarm system must be reset, see <i>"Resetting After an Alarm"</i> on page 11.</p>
<div style="border: 1px solid black; padding: 2px; margin-bottom: 2px;"> <small>FIRE ALARM 07 17:30 01 Jan</small> </div> <div style="border: 1px solid black; padding: 2px; margin-bottom: 2px; background-color: #333; color: white; text-align: center;"> <b>FIRE 07</b> </div> <div style="border: 1px solid black; padding: 2px; background-color: #333; color: white; text-align: center;"> <b>FAD7</b> </div>	<p>A fire alarm has occurred from a detection circuit (circuit 07). The internal sounder will generate a distinctive fire alarm tone and the external sounder is pulsed on and off. To silence the alarm simply enter your passcode. To reset the alarm simply enter your passcode again followed by [ESC].</p>
<div style="border: 1px solid black; padding: 2px; margin-bottom: 2px;"> <small>FUSE BLOWN 01 17:30 01 Jan</small> </div> <div style="border: 1px solid black; padding: 2px; margin-bottom: 2px; background-color: #333; color: white; text-align: center;"> <b>FUSE 01</b> </div> <div style="border: 1px solid black; padding: 2px; background-color: #333; color: white; text-align: center;"> <b>F601</b> </div>	<p>The auxiliary supply used for powering detection devices has blown its fuse. You will not be able to set the alarm system until the fault is rectified. Contact your alarm company for further advice.</p>
<div style="border: 1px solid black; padding: 2px; margin-bottom: 2px;"> <small>PA ALARM 08 17:30 01 Jan</small> </div> <div style="border: 1px solid black; padding: 2px; margin-bottom: 2px; background-color: #333; color: white; text-align: center;"> <b>PA ALM 08</b> </div> <div style="border: 1px solid black; padding: 2px; background-color: #333; color: white; text-align: center;"> <b>PA08</b> </div>	<p>A panic alarm (PA) has occurred from a detection circuit (circuit 08). To silence the alarm simply enter your passcode. Reset the panic alarm device if required (normally with a key). To reset the alarm simply enter your passcode again followed by [ESC].</p>
<div style="border: 1px solid black; padding: 2px; margin-bottom: 2px;"> <small>PA CODE 15 17:30 01 Jan</small> </div> <div style="border: 1px solid black; padding: 2px; margin-bottom: 2px; background-color: #333; color: white; text-align: center;"> <b>PANIC 15</b> </div> <div style="border: 1px solid black; padding: 2px; background-color: #333; color: white; text-align: center;"> <b>PC.15</b> </div>	<p>A panic alarm (PA) passcode has been entered at a remote keypad by a user (user 15). To silence the alarm simply enter your passcode. To reset the alarm simply enter your passcode again followed by [ESC].</p>

## Display Messages (Cont.)

<p style="background-color: #e0f0e0; padding: 2px;">PANEL LID TAMPER 17:30 01 Jan</p> <p style="background-color: #e0f0e0; padding: 2px; text-align: center;"><b>LID TAMP</b></p> <p style="background-color: #e0f0e0; padding: 2px; text-align: center;">LE</p>	<p>The lid of the control panel has been removed. If the fault is not cleared you will not be able to set the alarm system. To silence the alarm simply enter your passcode. Contact your alarm company for further advice.</p>
<p style="background-color: #e0f0e0; padding: 2px;">PHONE LINE FAULT 17:30 01 Jan</p> <p style="background-color: #e0f0e0; padding: 2px; text-align: center;"><b>LINE FLT</b></p> <p style="background-color: #e0f0e0; padding: 2px; text-align: center;">LF</p>	<p>Your alarm system is fitted with a remote signalling device which is reporting a telephone line fault. The system will also generate a chime tone every minute to warn you that the fault exists, to silence the chime tones simply enter your passcode. If the fault is not cleared you may not be able to set the alarm system. If the fault persists, contact your alarm company for further advice.</p>
<p style="background-color: #e0f0e0; padding: 2px;">REM TAMPER 01 17:30 01 Jan</p> <p style="background-color: #e0f0e0; padding: 2px; text-align: center;"><b>R.TMP 01</b></p> <p style="background-color: #e0f0e0; padding: 2px; text-align: center;">r.t.01</p>	<p>The lid of a remote keypad has been removed (remote 01). If the fault is not cleared you will not be able to set the alarm system. To silence the alarm simply enter your passcode. Contact your alarm company for further advice.</p>
<p style="background-color: #e0f0e0; padding: 2px;">SET FAIL 17:30 01 Jan</p> <p style="background-color: #e0f0e0; padding: 2px; text-align: center;"><b>SET FAIL</b></p> <p style="background-color: #e0f0e0; padding: 2px; text-align: center;">SF</p>	<p>The system has failed to set. This normally caused by a circuit being left open at the time of setting. Check that all circuits are healthy before attempting to set the alarm system.</p>
<p style="background-color: #e0f0e0; padding: 2px;">SYSTEM IS BUSY PLEASE WAIT.</p> <p style="background-color: #e0f0e0; padding: 2px; text-align: center;"><b>BUSY</b></p> <p style="background-color: #e0f0e0; padding: 2px; text-align: center;">BUSY</p>	<p>Another user is operating the alarm system from another remote keypad. When they have finished all remote keypads will revert to normal operation.</p>
<p style="background-color: #e0f0e0; padding: 2px;">TAMPER 02 17:30 01 Jan</p> <p style="background-color: #e0f0e0; padding: 2px; text-align: center;"><b>TAMPR 02</b></p> <p style="background-color: #e0f0e0; padding: 2px; text-align: center;">t.a.02</p>	<p>A tamper alarm has occurred from a detection circuit (circuit 02). Normally caused by removing the cover from a movement sensor or a break in the circuit cabling. To silence the alarm simply enter your passcode. If the fault is not cleared you will not be able to set the alarm system. Contact your alarm company for further advice.</p>

# System Records

## User Record

User	Type	Name
01	Master	
02		
03		
04		
05		
06		
07		
08		
09		
10		
11		
12		
13		
14		
15		

## Detection Circuit Record

Circuit	Location	Omit	Chime	P.Set A	P.Set B	P.Set C
01						
02						
03						
04						
05						
06						
07						
08						

## Detection Circuit Record (Cont.)

Circuit	Location	Omit	Chime	P.Set A	P.Set B	P.Set C
09						
10						
11						
12						
13						
14						
15						
16						
17						
18						
19						
20						
21						
22						
23						
24						
25						
26						
27						
28						
29						
30						
31						
32						
33						
34						
35						
36						
37						
38						



## System Details

Entry Time		Exit Time	
Bell Delay		Bell Duration	
Full Set By		Part Set A by	
Part Set B by		Part Set C by	
Reset by		Allow set with line fault	
Set with mains off		Remote signalling	
Downloading		User Authorised	
Remote 1 Function Indicator ▲			
Remote 2 Function Indicator ▲			
Remote 3 Function Indicator ▲			
Remote 4 Function Indicator ▲			

## Installer Information

Installation Engineer:	
Alarm Company:	
Address:	
Telephone No.:	
Alarm Receiving Centre:	
Telephone No.:	
Date Installed:	

## Notes

